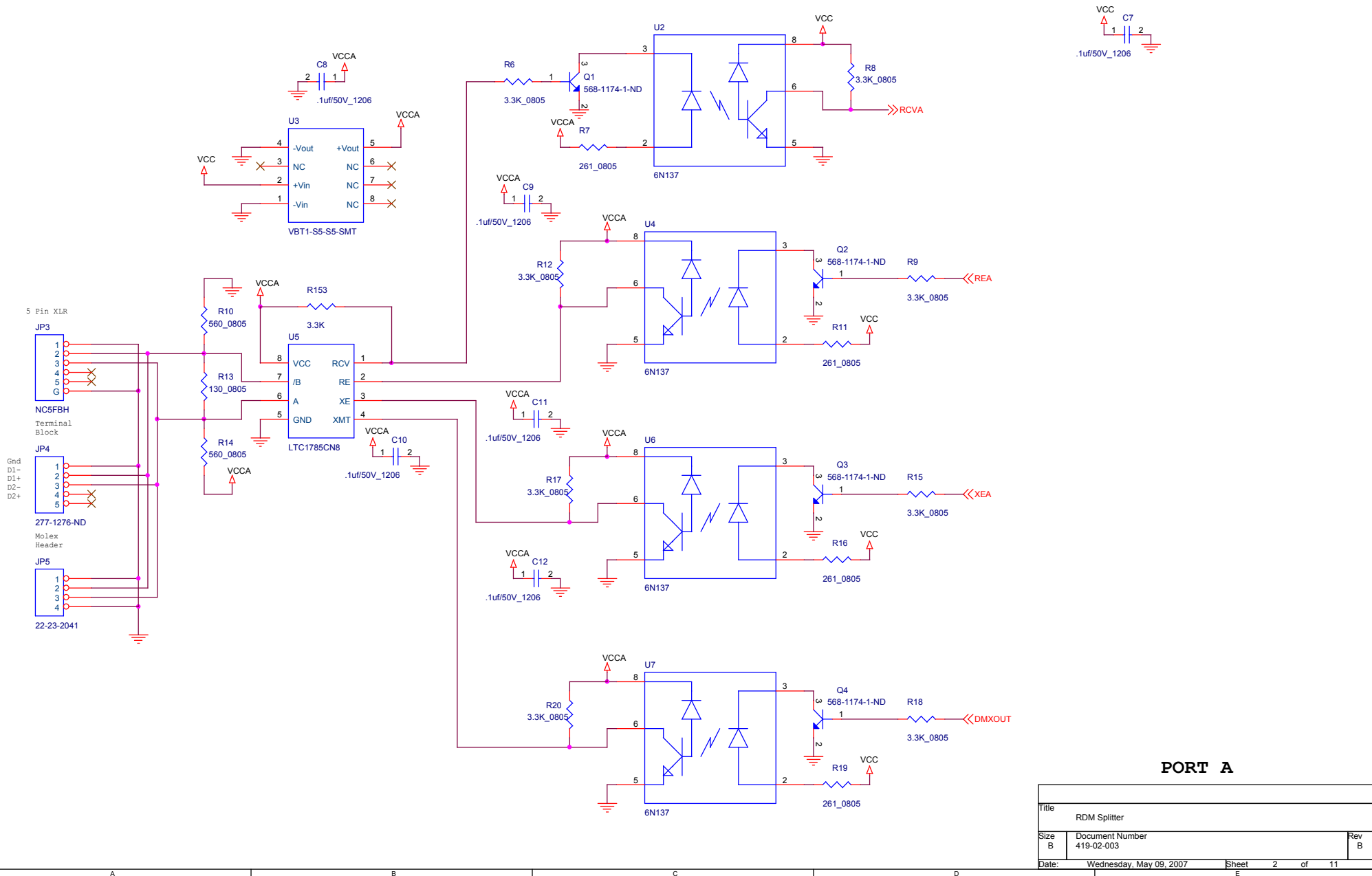
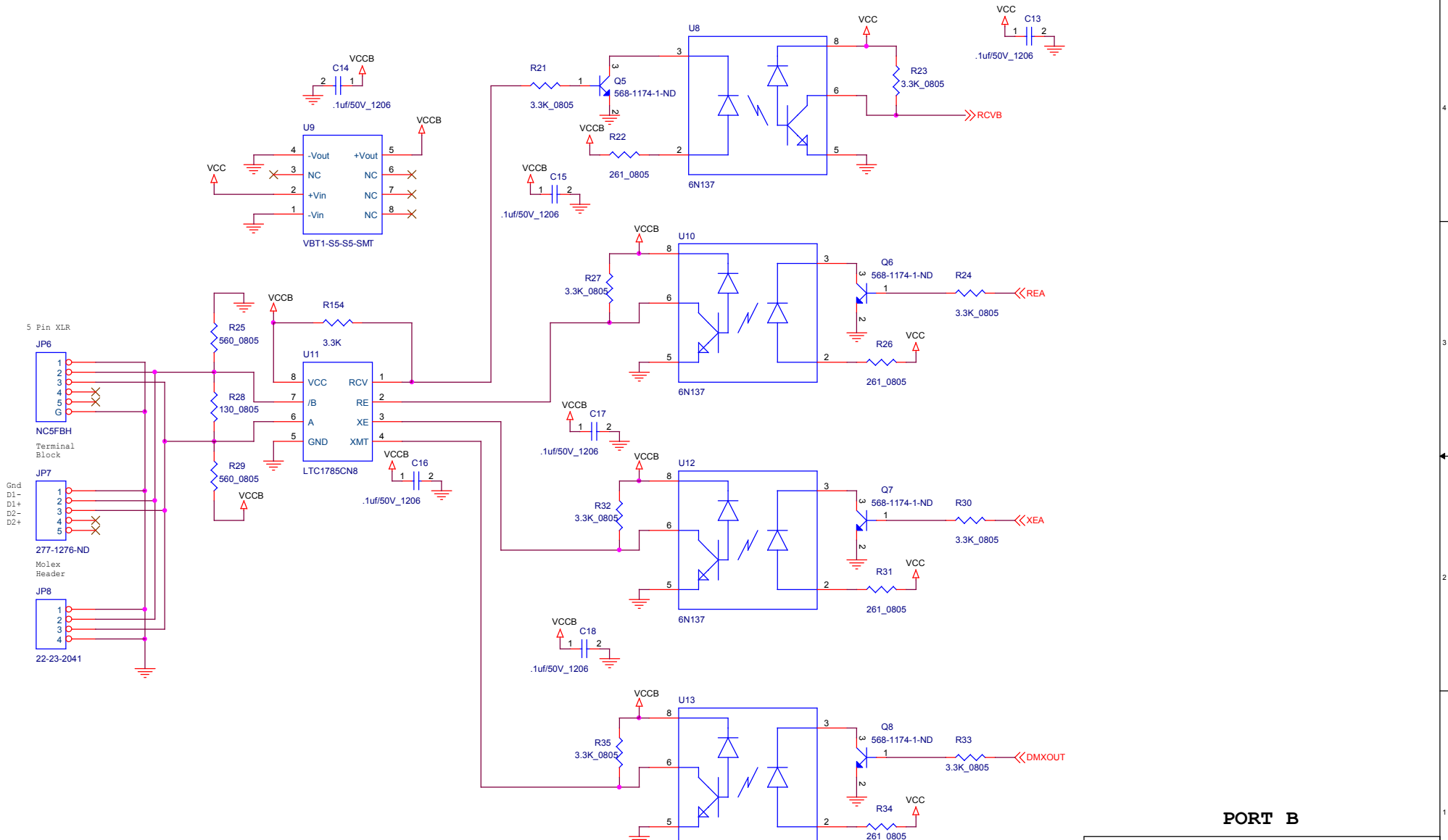


Title		
RDM Splitter		
Size	Document Number	Rev
B	419-02-003	B
Date:	Friday, April 06, 2007	Sheet 1 of 11



PORT A

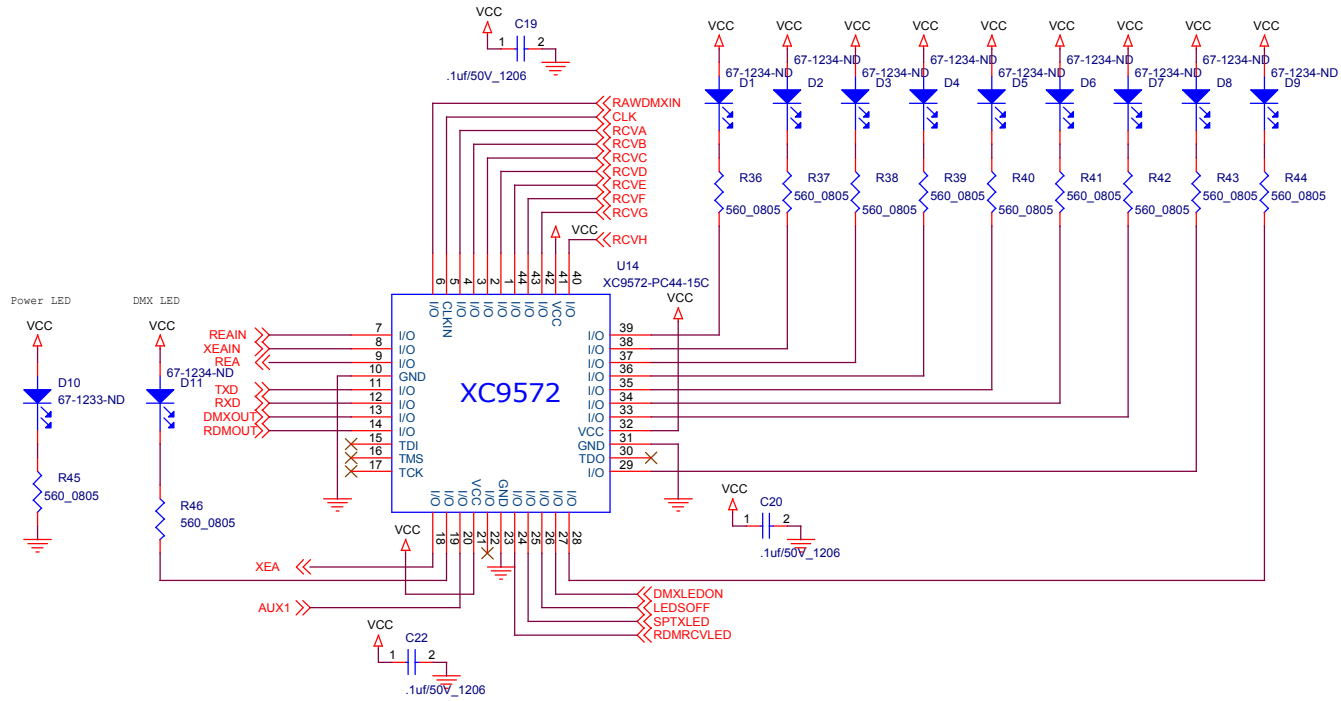
Title		
RDM Splitter		
Size	Document Number	Rev
B	419-02-003	B
Date:	Wednesday, May 09, 2007	Sheet 2 of 11



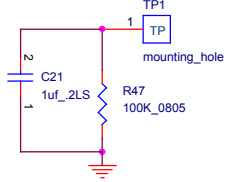
PORT B

Title		
RDM Splitter		
Size B	Document Number 419-02-003	Rev B
Date:	Wednesday, May 09, 2007	Sheet 3 of 11

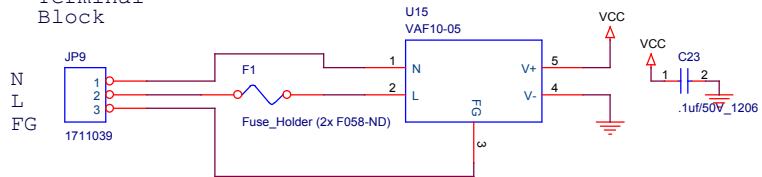
RDM Activity



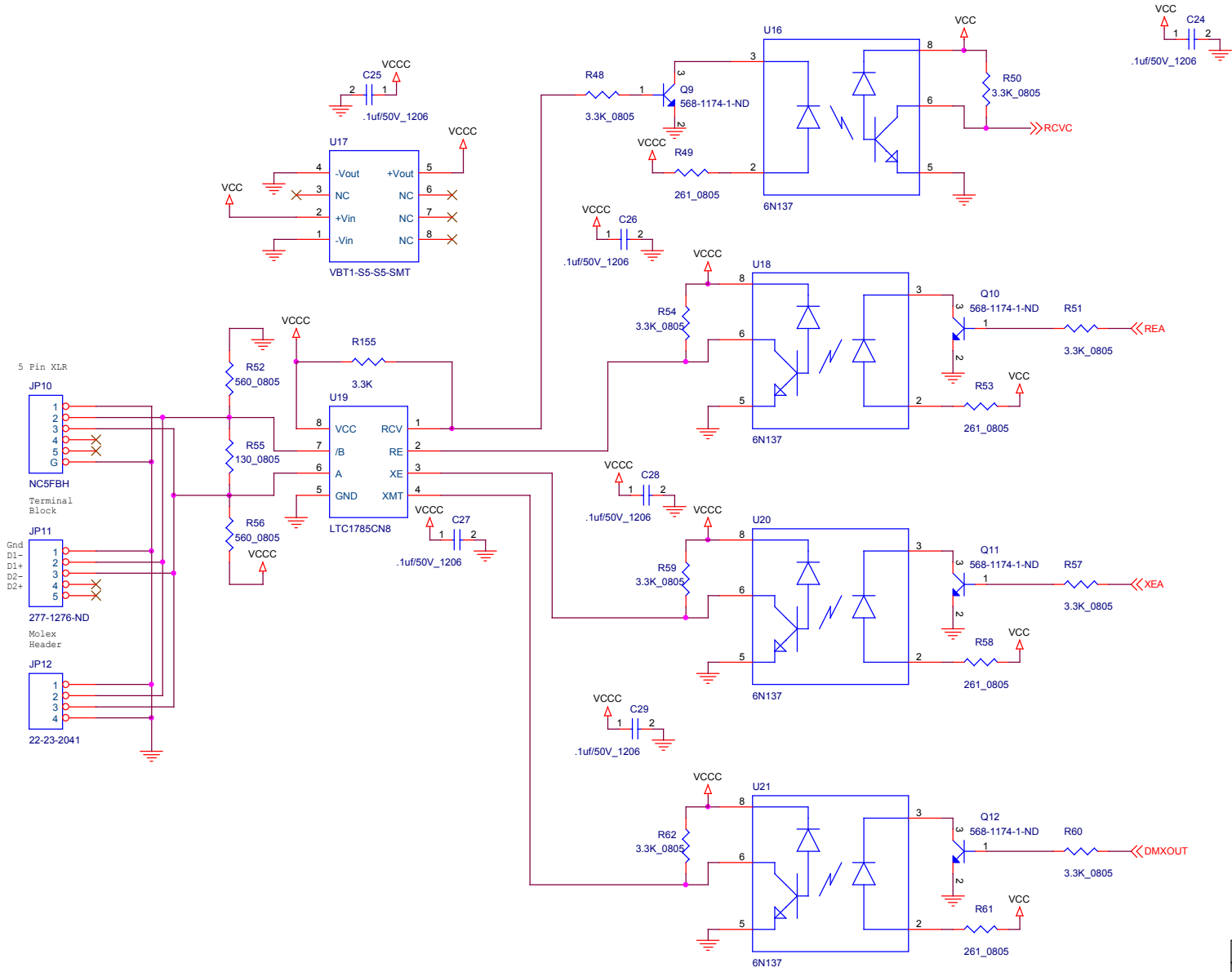
This test point is a connection to one of the mounting holes



Terminal Block

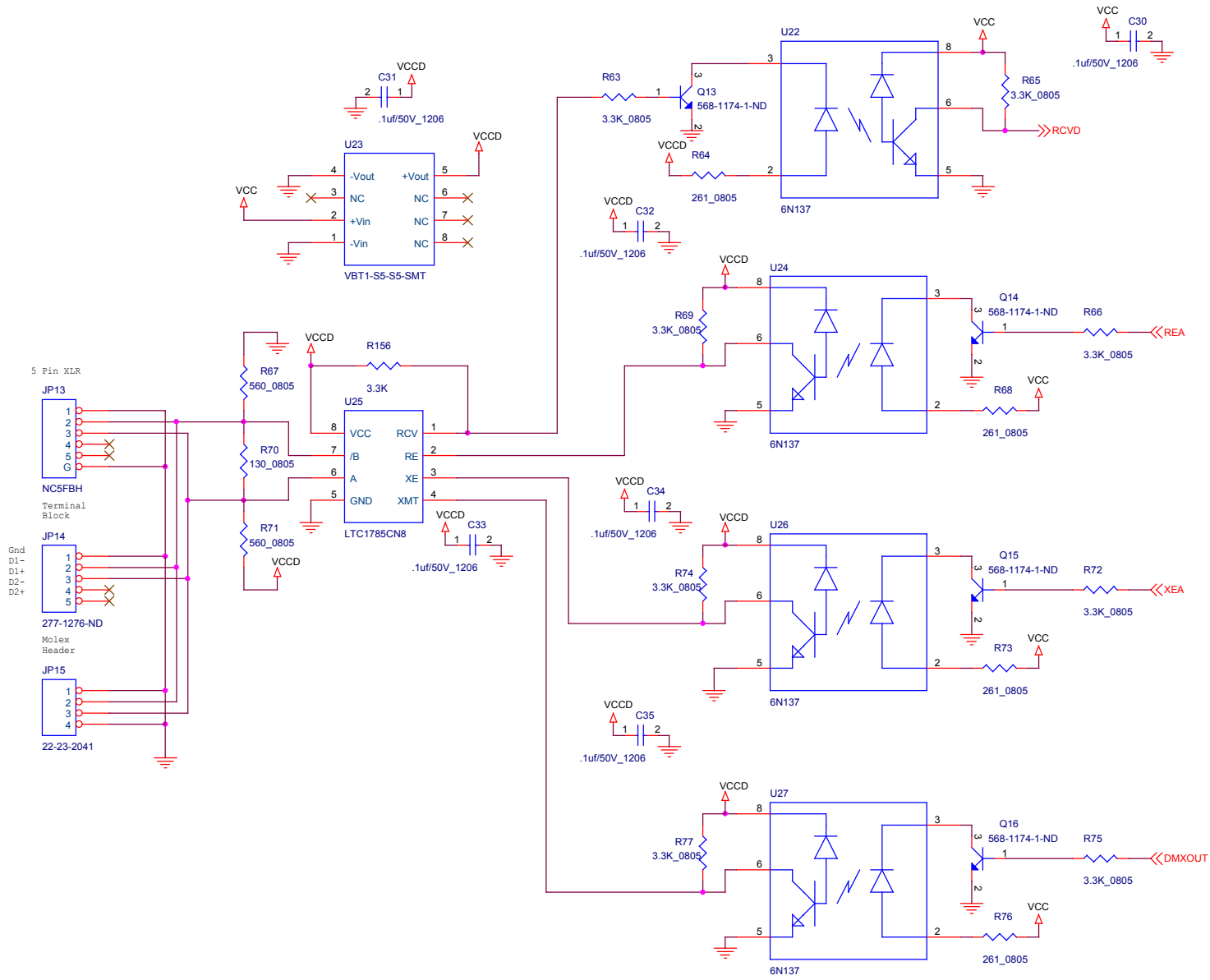


Title		
RDM Splitter		
Size	Document Number	Rev
B	419-02-003	B
Date:	Wednesday, May 09, 2007	Sheet 4 of 11



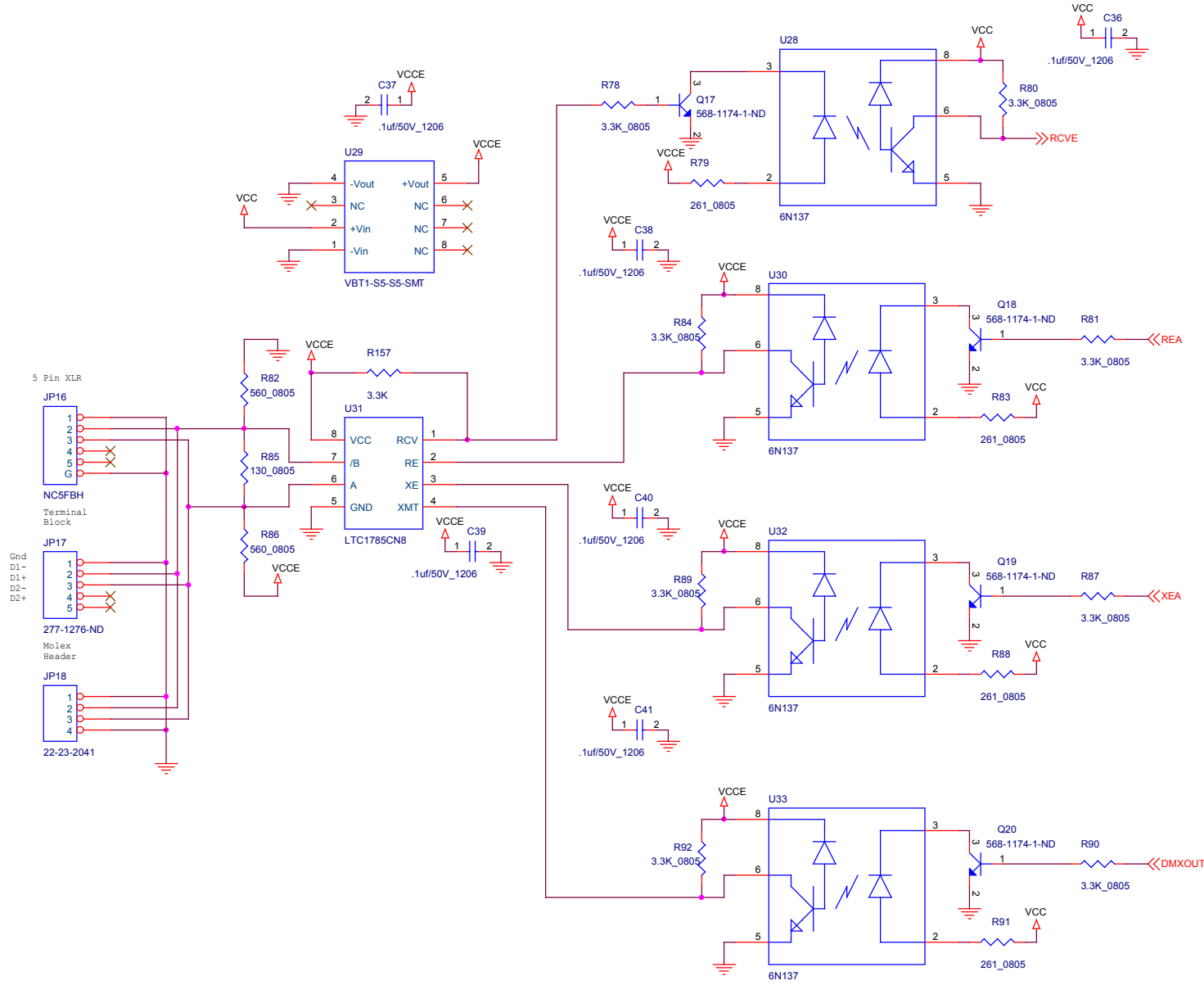
PORT C

Title		
RDM Splitter		
Size	Document Number	Rev
B	419-02-003	B
Date:	Wednesday, May 09, 2007	Sheet 5 of 11



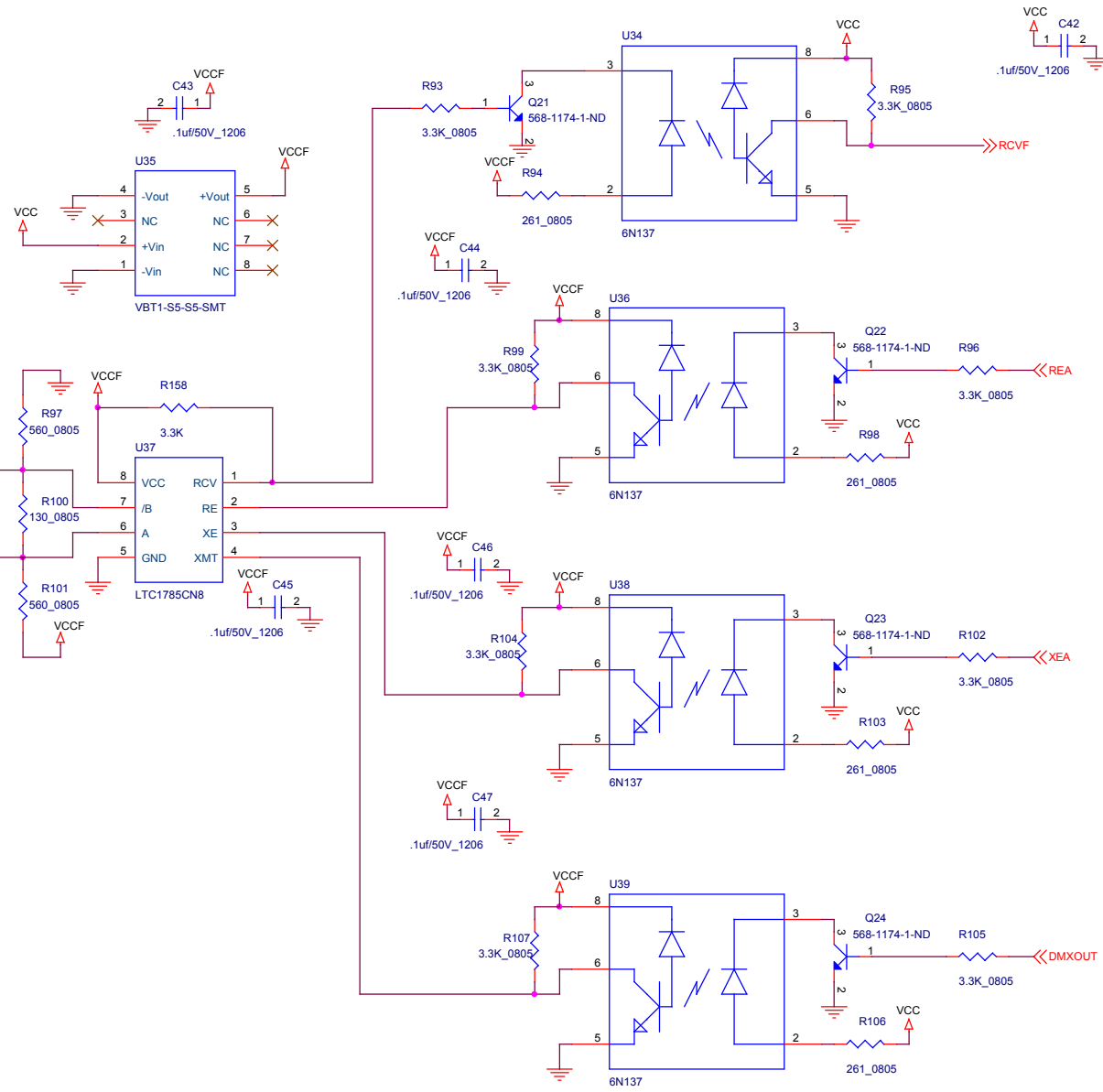
PORT D

Title		
RDM Splitter		
Size	Document Number	Rev
B	419-02-003	B
Date:	Wednesday, May 09, 2007	Sheet 6 of 11



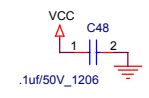
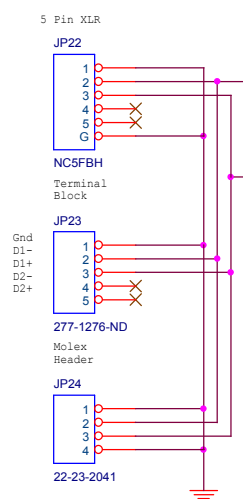
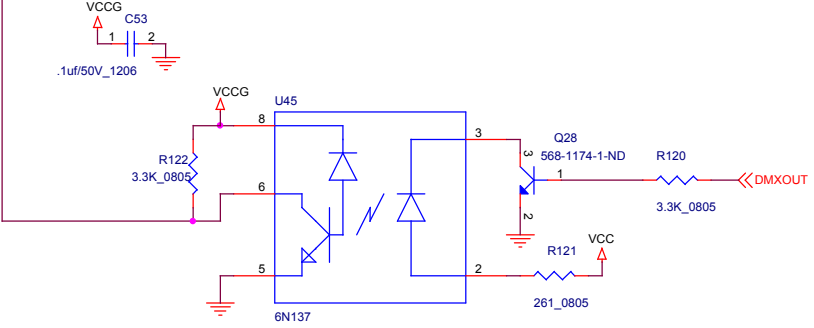
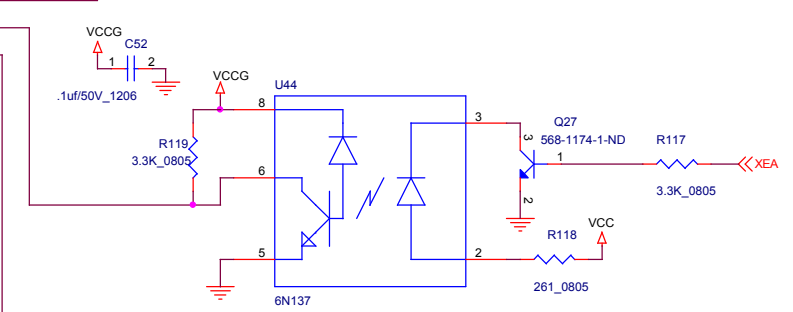
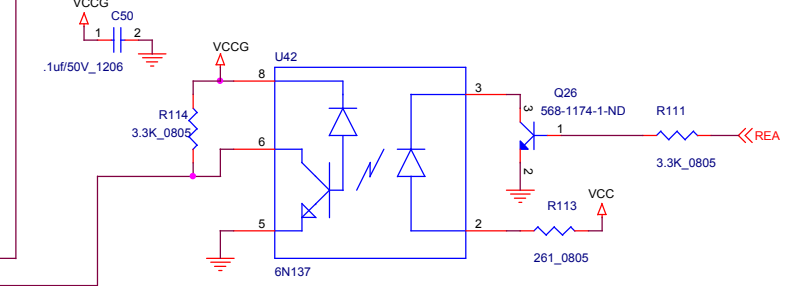
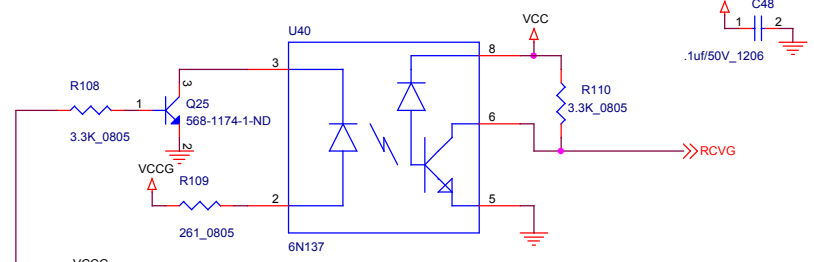
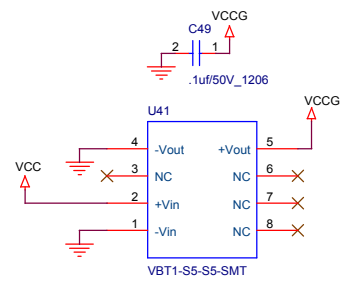
PORT E

Title		
RDM Splitter		
Size	Document Number	Rev
B	419-02-003	B
Date:	Wednesday, May 09, 2007	Sheet 7 of 11



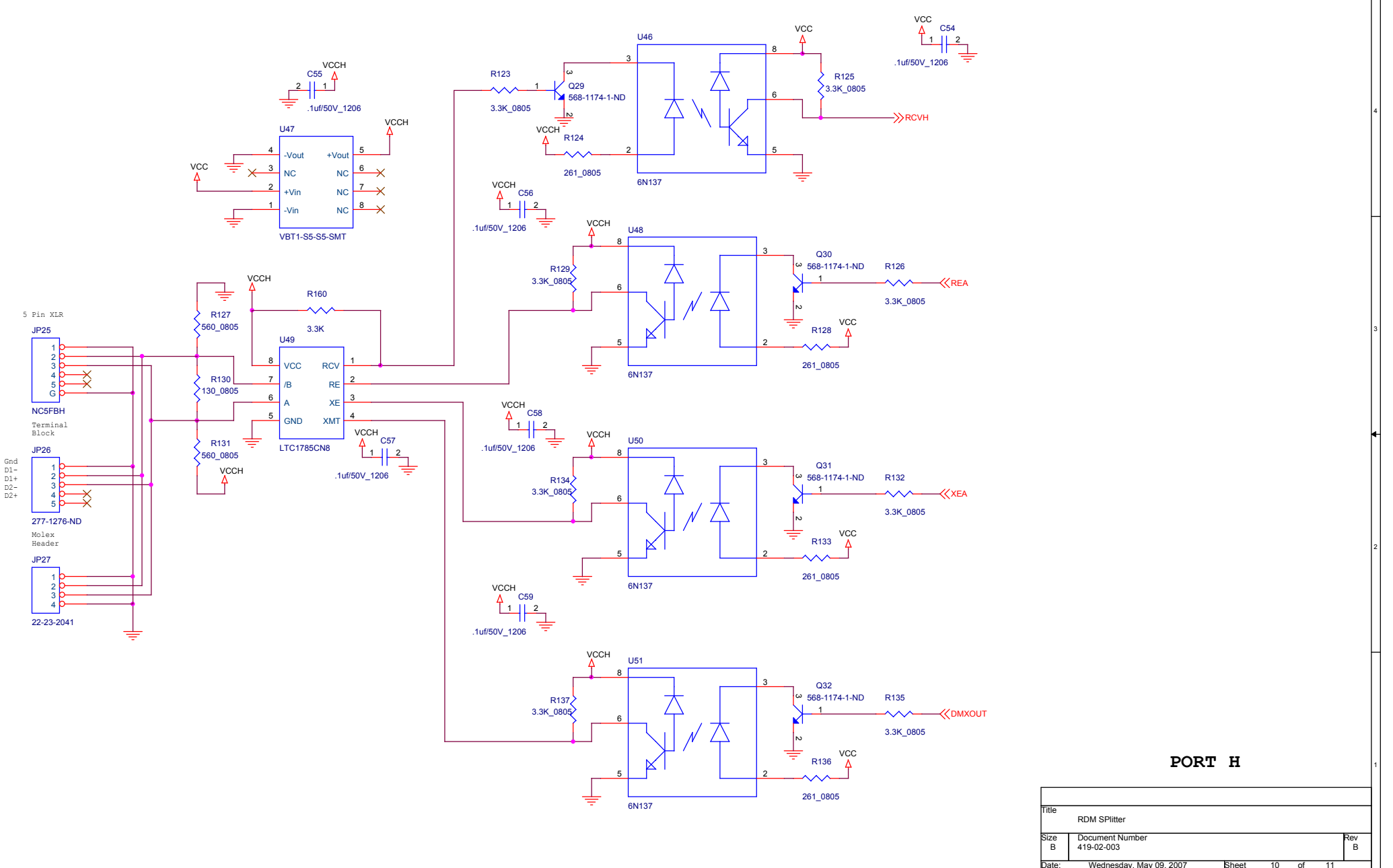
PORT F

Title		
RDM Splitter		
Size	Document Number	Rev
B	419-02-003	B
Date:	Wednesday, May 09, 2007	Sheet 8 of 11



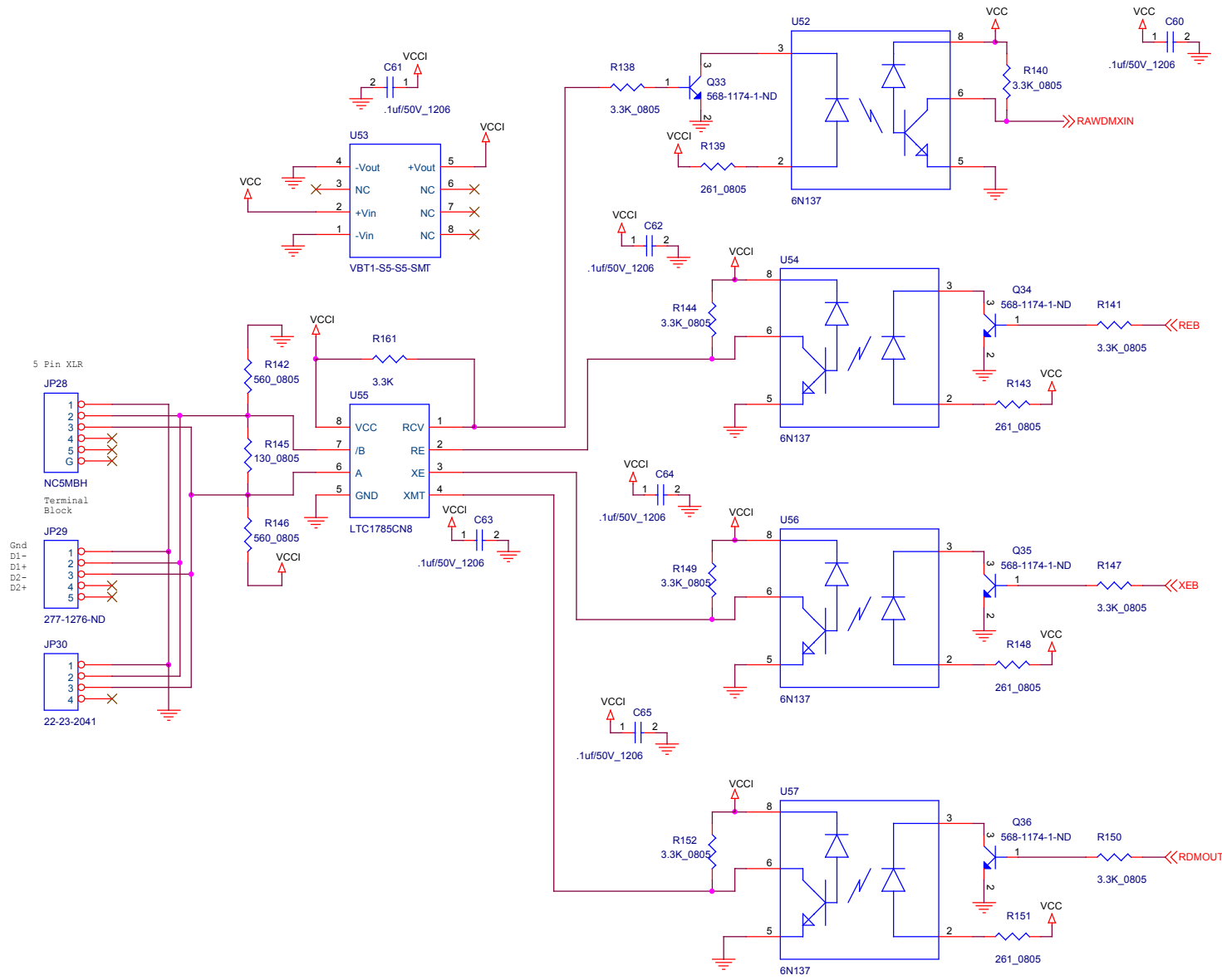
PORT G

Title		
RDM Splitter		
Size	Document Number	Rev
B	419-02-003	B
Date:	Wednesday, May 09, 2007	Sheet 9 of 11



PORT H

Title		
RDM SPlitter		
Size	Document Number	Rev
B	419-02-003	B
Date:	Wednesday, May 09, 2007	Sheet 10 of 11



Input Port

Title		
RDM Splitter		
Size	Document Number	Rev
B	419-02-003	B
Date:	Wednesday, May 09, 2007	Sheet 11 of 11