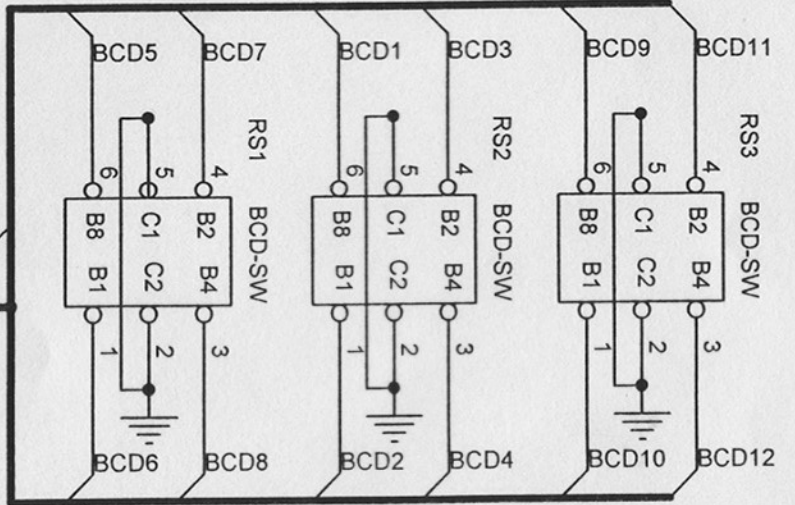
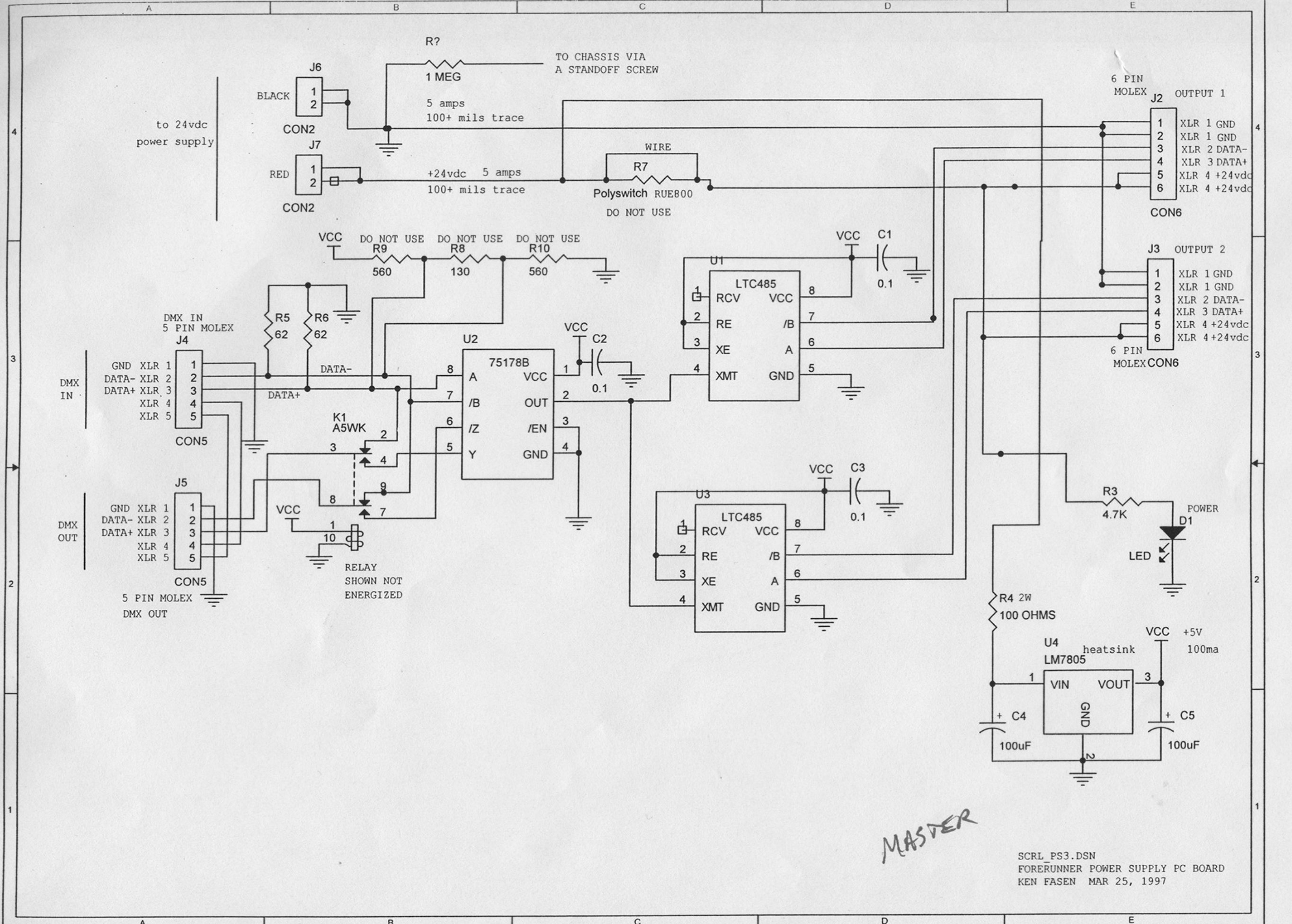


SWITCHES  
TOP VIEW  
BCD 1-12  
LABELS  
RANDOM



Title			FORERUNNER HEAD PCB REV 2 H.G		
Size			Document Number		
A			FILE FORERUNNERHEADPCBREV2		
Date:			Monday, March 24, 1997		
Sheet			1 of 1		
Rev			2		

*MASTER*



MASTER